

FORT MYERS BEACH HARBOR LEE COUNTY, FLORIDA FEB HYDRO EXAM SURVEY FY22 11 & 12-FOOT PROJECT

SURVEY NOTES

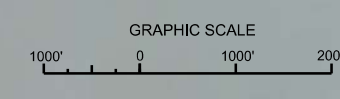
1. REFER TO SURVEY NO. 22-066.
 2. DEPTHS DEPICTED BY THIS SURVEY ARE REFERENCED TO MEAN LOWER LOW WATER (MLLW) OF THE 1983-2001 TIDAL EPOCH, AS REPORTED BY THE NATIONAL OCEANIC AND ATMOSPHERIC ADMINISTRATION (NOAA). NOAA'S VDATUM MODEL WAS USED AND CALIBRATED TO THE PUBLISHED MLLW HEIGHT OF THE BENCHMARK ASSOCIATED WITH THE TIDE GAGE SITE SPECIFIED BELOW:

NOAA TIDAL STATION 872-5366 (PID: AD1372) FOR ALL CUTS.
 3. TIDAL REDUCTIONS WERE OBTAINED UTILIZING A REAL-TIME KINEMATIC (RTK) GPS AND REFERENCED TO MLLW UTILIZING A HYPACK KINEMATIC TIDE DATUM (KTD) MODEL. KTD FILE NAME IS: "SPC-FL-WEST-2010-12-07.KTD".
 4. ALL ELEVATIONS ARE BELOW THE CHART DATUM UNLESS PRECEDED BY A (+) SIGN.
 5. PLANE COORDINATES ARE BASED ON THE TRANSVERSE MERCATOR PROJECTION FOR THE WEST ZONE OF FLORIDA AND REFERENCED TO NORTH AMERICAN DATUM OF 1983 (NAD83).
 6. ALL STATIONING REFERS TO THE CENTERLINE OF THE CHANNEL.
 7. THIS SURVEY WAS PERFORMED USING REAL-TIME KINEMATIC (RTK) GPS POSITIONING WITH THE FOLLOWING REFERENCE BASE LOCATIONS:

REFERENCE BASE LOCATED AT "872 5366 C" (PID: DN3735)

VERTICAL MEASUREMENTS WERE MADE USING A RESON T-20 MULTI-BEAM ECHO SOUNDER OPERATING AT 240 KHZ AND A ROSS MODEL 835 SINGLE-BEAM ECHOSOUNDER OPERATING AT 28200 KHZ. ALL SOUNDINGS SHOWN ARE IN HIGH FREQUENCY.
- | VESSEL | DATE OF SURVEY | CUT |
|--------|----------------|--|
| SB-52 | 23-24 FEB 2022 | CUTS 1 & 2A, EXTRA DATA NORTH OF CUT-1 |
8. AIDS TO NAVIGATION WERE LOCATED DURING THIS SURVEY.
 9. THE INFORMATION DEPICTED ON THIS MAP REPRESENTS THE RESULTS OF SURVEYS MADE ON THE DATES INDICATED ABOVE AND CAN ONLY BE CONSIDERED AS INDICATING THE GENERAL CONDITIONS AT THAT TIME. THIS CHART IS SOLELY FOR THE DISTRIBUTION OF AVAILABLE DEPTHS AT THE TIME OF THE SURVEY.
 10. SURVEY ACCURACY PERFORMANCE STANDARDS, QUALITY CONTROL, AND QUALITY ASSURANCE REQUIREMENTS WERE FOLLOWED DURING THIS SURVEY IN ACCORDANCE WITH USACE EM 1110-2-1003, HYDROGRAPHIC SURVEYING, 30 NOV 2013.

LEGEND	
	MONUMENT
	LIGHTED BEACON
	GREEN DAYBEACON
	RED DAYBEACON
	RED LIGHTED BUOY
	GREEN LIGHTED BUOY
	CAN BUOY
	NUN BUOY
	TIDE STAFF
	PROJECT DEPTH



SHEET INDEX

US Army Corps of Engineers
Jacksonville District
SAFETY ON THIS JOB DEPENDS ON YOU

DESIGNED BY: WRM
DRAWN BY: WRM
CHECKED BY: WRM

DATE: FEB 2022

FILE NAME: 22-066-11-12.DGN

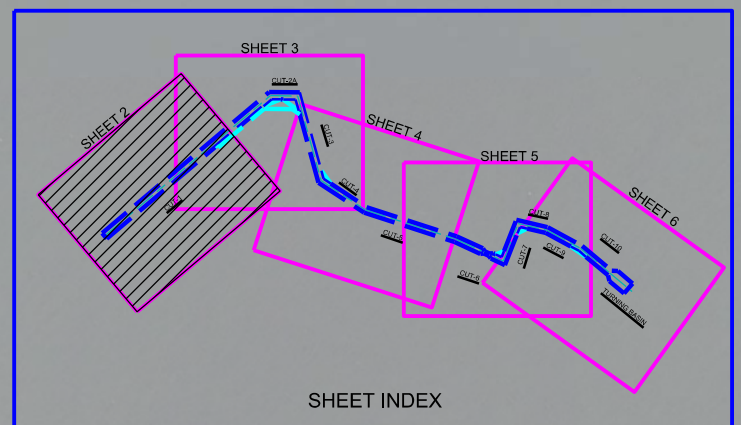
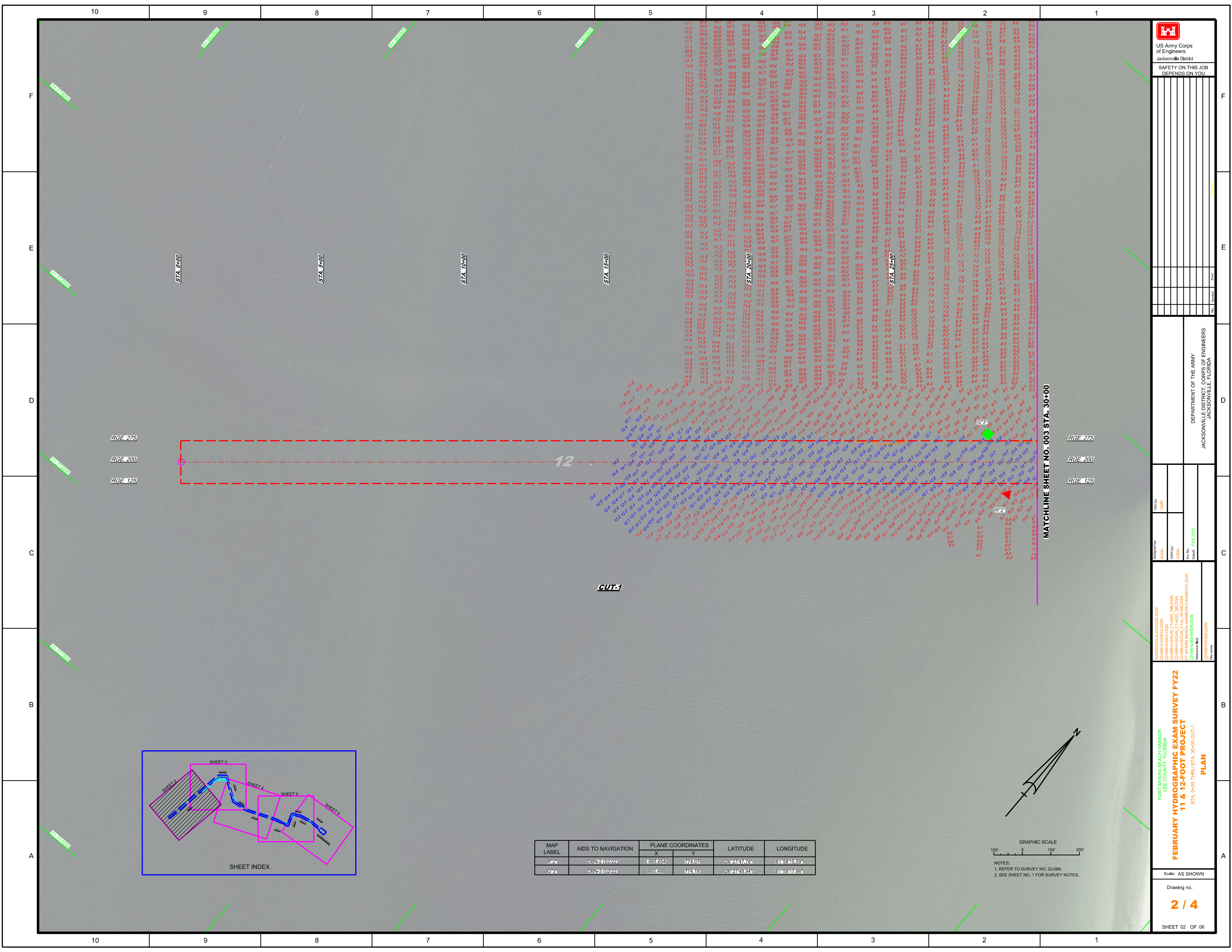
DEPARTMENT OF THE ARMY
JACKSONVILLE DISTRICT, CORPS OF ENGINEERS
JACKSONVILLE, FLORIDA

FORT MYERS BEACH HARBOR
LEE COUNTY, FLORIDA
FEBRUARY HYDROGRAPHIC EXAM SURVEY FY22
11 & 12-FOOT PROJECT
INDEX, LOCATION AND VICINITY MAP

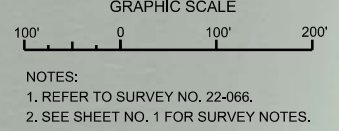
Scale: AS SHOWN

Drawing no.
1 / 4

SHEET 01 OF 06



MAP LABEL	AIDS TO NAVIGATION	PLANE COORDINATES		LATITUDE	LONGITUDE
		X	Y		
R-2	DBN-2(0222)	665.654	774.076	28°27'47.6"	81°58'15.59"
C-3	DBN-3(0222)	665.466	774.193	28°27'48.94"	81°58'17.66"



NOTES:
1. REFER TO SURVEY NO. 22-066.
2. SEE SHEET NO. 1 FOR SURVEY NOTES.

SAFETY ON THIS JOB DEPENDS ON YOU

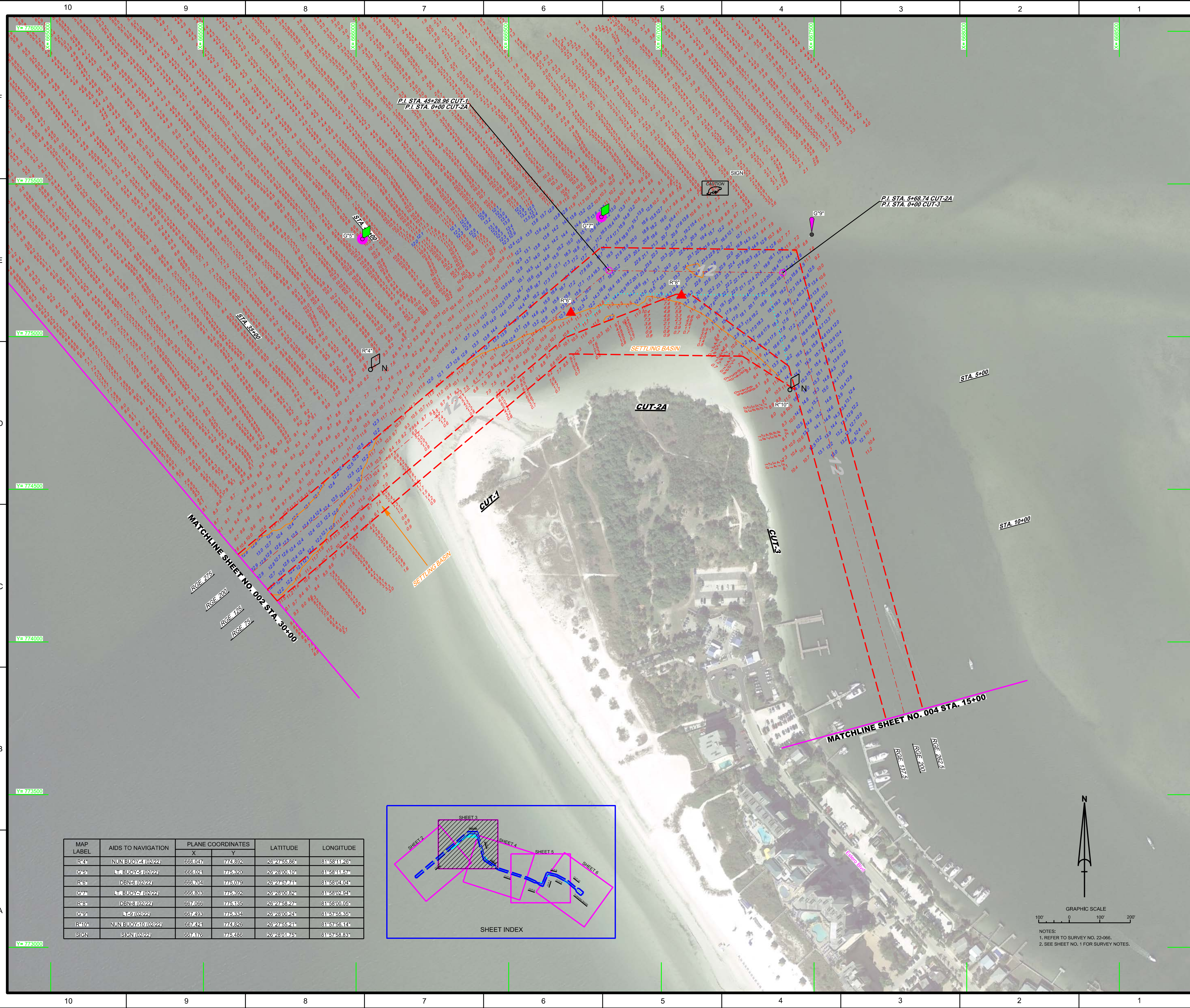
US Army Corps of Engineers
Jacksonville District

DEPARTMENT OF THE ARMY
JACKSONVILLE DISTRICT, CORPS OF ENGINEERS
JACKSONVILLE, FLORIDA

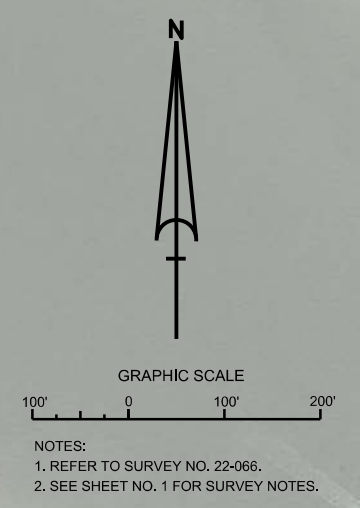
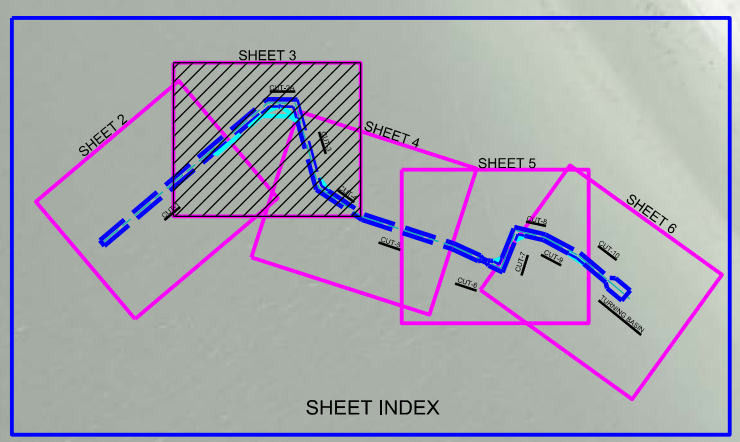
DESIGNED BY: WRM
CHECKED BY: GHR
DATE: FEB 2022

PROJECT: FORT MYERS BEACH HARBOR LEE COUNTY, FLORIDA
SURVEY: FEBRUARY HYDROGRAPHIC EXAM SURVEY FY22
SHEET: STA. 0+00 THRU STA. 30+00 CUT-1
PLAN

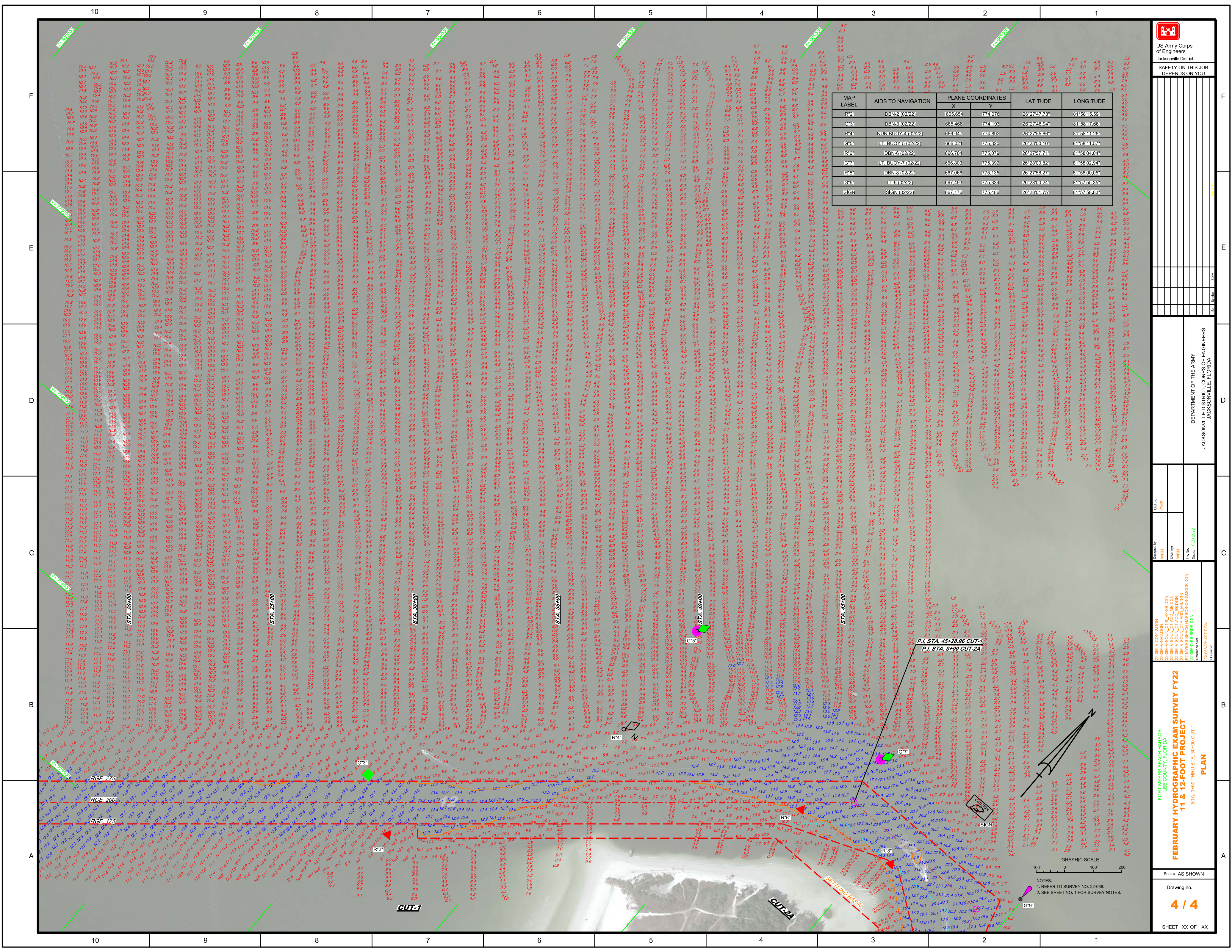
Scale: AS SHOWN
Drawing no. **2 / 4**
SHEET 02 OF 06



MAP LABEL	AIDS TO NAVIGATION	PLANE COORDINATES		LATITUDE	LONGITUDE
		X	Y		
R4	NUN BUOY 4 (02/22)	666,047	774,892	28°27'55.86"	81°58'11.26"
G5	Lt. BUOY 5 (02/22)	666,021	775,320	28°28'00.10"	81°58'11.57"
R6	DBN-6 (02/22)	666,704	775,079	28°27'57.74"	81°58'04.04"
G7	Lt. BUOY 7 (02/22)	666,803	775,392	28°28'00.82"	81°58'02.94"
R8	DBN-8 (02/22)	667,066	775,135	28°27'58.27"	81°58'00.05"
G9	Lt. BUOY 9 (02/22)	667,493	775,834	28°28'00.23"	81°57'55.35"
R10	NUN BUOY 10 (02/22)	667,421	774,826	28°27'55.21"	81°57'56.14"
SIGN	SIGN (02/22)	667,176	775,486	28°28'01.75"	81°57'58.83"



NOTES:
1. REFER TO SURVEY NO. 22-066.
2. SEE SHEET NO. 1 FOR SURVEY NOTES.



MAP LABEL	AIDS TO NAVIGATION	PLANE COORDINATES		LATITUDE	LONGITUDE
		X	Y		
R2*	DBN-2(0222)	665.654	174.076	28°27'47.6"	81°58'15.69"
G3*	DBN-3(0222)	665.656	174.193	28°27'48.92"	81°58'17.656"
R4*	NUN BUOY-4(0222)	666.047	174.892	28°27'55.86"	81°58'11.26"
G5*	LT BUOY-5(0222)	666.024	175.820	28°28'00.10"	81°58'11.57"
R6*	DBN-6(0222)	666.704	175.579	28°27'57.74"	81°58'04.04"
G7*	LT BUOY-7(0222)	666.803	175.832	28°28'00.82"	81°58'02.94"
R8*	DBN-8(0222)	667.066	175.185	28°27'58.27"	81°58'00.05"
G9*	LT-9(0222)	667.493	175.834	28°28'00.24"	81°57'55.35"
SIGN	SIGN(0222)	667.476	175.486	28°28'01.76"	81°57'58.83"

DEPARTMENT OF THE ARMY
JACKSONVILLE DISTRICT, CORPS OF ENGINEERS
JACKSONVILLE, FLORIDA

Project: FEBRUARY HYDROGRAPHIC EXAM SURVEY FY22
11 & 12-FOOT PROJECT
STA. 0+00 THRU STA. 30+00 CUT-1

Scale: AS SHOWN

Notes:
1. REFER TO SURVEY NO. 22-066.
2. SEE SHEET NO. 1 FOR SURVEY NOTES.

Sheet: 4 / 4
SHEET XX OF XX